

FD-335

Foam Densifier

FEATURES

- ◆ Densifies Polystyrene (EPS), Polyethylene (EPE) & Polypropylene (EPP)
- ◆ Processes up to 1000 Lbs. per Hour of Loose EPS Foam
- ◆ Reduces Foam Volume by Approximately 90 to 1
- ◆ Shreds Foam Pieces up to 4 Feet Wide
- ◆ Bag System to Increase Operator Productivity

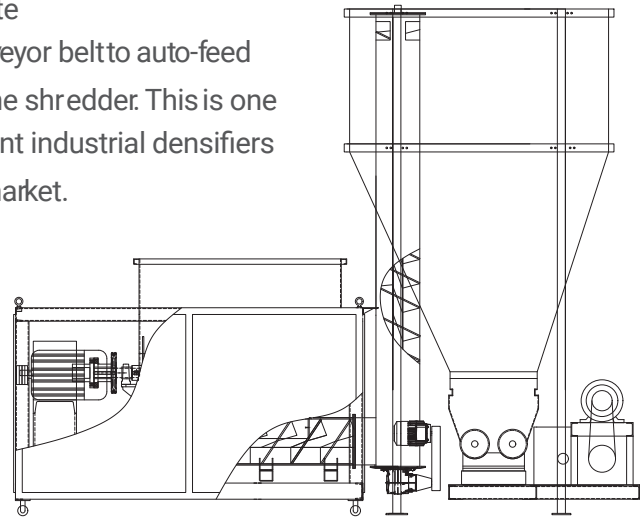
BENEFITS

- ◆ Reduces Waste Hauling and Landfill Cost
- ◆ Generates Revenue by Creating a Marketable Product for Recycling
- ◆ Loaner Program

CUSTOMIZATION

- ◆ Molds

We provide a complete line of foam densifiers to help customers in the collection management of scrap foam material. Our machines process foam onsite by densifying it into a block form which becomes a marketable recycling product. The FD-335 model has a large shredding module for high production volume and a silo module to store shredded foam. The twin barrel design provides a high densifying rate and there is a conveyor belt to auto-feed loose foam into the shredder. This is one of the most efficient industrial densifiers available on the market.



Model & Version	FD-335 V2
Power	80 HP (59 kW)
Voltage	230V/460V three-phase
Weight	11900 lbs. (5389 kg)
Maximum Capacity (EPS)	1000 lbs./hour (454 kg)
Feed Opening (W x H)	62" x 37" (1575 x 940 mm)
Foot Print (D x W x H)	160" x 230" x 158" (4064 x 5842 x 4013 mm)

CONNECT

E: wchan@1588ventures.com
sxie@1588ventures.com

T: +1 713.397.9959 or +1 713.449.2199