

FOAM DENSIFIER FD-10

PRODUCT SHEET



FEATURES:

- ▶ The FD-10 can densify three main types of foam - polystyrene, polyethylene and polypropylene.
- ▶ This FD-10 can process between 50-70 lbs per hour of loose foam depending on the foam type.
- ▶ Volume reduction of the foam is approximately 80 to 1.

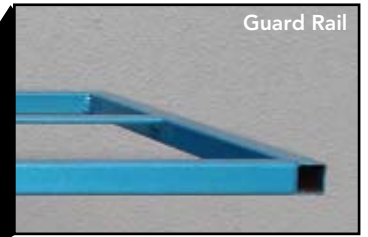
BENEFITS:

- ▶ Recycling to help save our environment.
- ▶ Removal of foam from the waste stream, saving waste hauling and landfill costs.
- ▶ Revenue generation by creating a marketable product for recycling.

- Financing and special programs available.
- One-year warranty on all parts and labor, with loaner program available.
- Rigorous air quality testing for health and environmental safety.



Photo Eye



Guard Rail



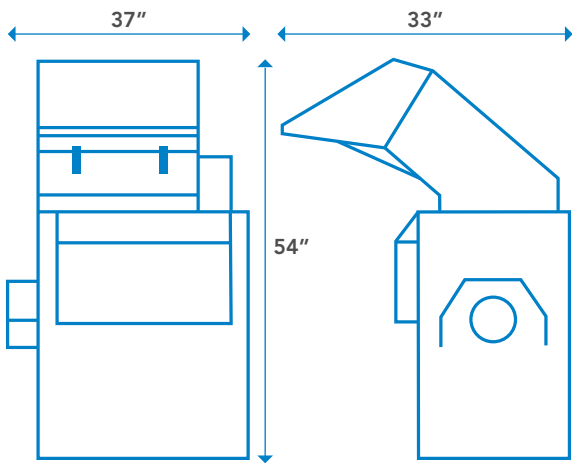
Exhaust Vent Kit



Purge Patty



Control Panel



FD-10 SPECS

- ▶ Model: FD-10
- ▶ Motor: 2 HP
- ▶ Electrical: 110 v
- ▶ Weight: 430 lbs
- ▶ Capacity Per Hour: 50-70 lbs (foam dependent)
- ▶ Feed Opening: 17.5" x 13"

OPTIONAL FEATURES:

- ▶ Photo-eye for automatic shut-off
- ▶ Exhaust Vent Kit
- ▶ Guard Rail

For more information contact a sales representative:

E: wchan@1588ventrues.com ; sxie@1588ventures.com

T: +1 713.397.9959 or +1 713.449.2199

Printed on recycled paper